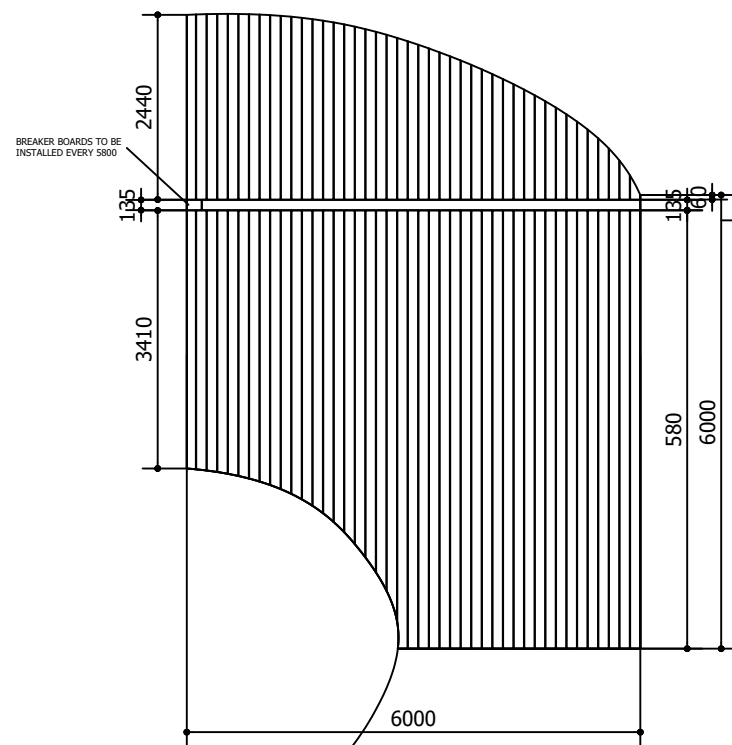


EDGE OF DECK TO BE FLUSH WITH ROCK FACE

EDGE OF DECK TO BE FLUSH WITH ROCK FACE



ARCHITECT'S SIGNATURE _____

OWNER'S SIGNATURE _____

ENGINEER'S SIGNATURE _____

General notes
 The design on this drawing is copyright and remains the property of the architect.
 All work to conform to SANS 10400 National Building regulations (2011) and to local authority requirements.
 All relevant levels, dimensions and details to be checked on site before commencing any work. Report any discrepancies to the architect immediately. Do not scale.

Structural notes
 All structural work to structural engineer's detail and specification.
 Soil below foundations and backfill below concrete surface beds to be well compacted.

Waterproofing notes
 USB green waterproofing membrane to all concrete surface beds.
 DPC to base of all external walls and to windowsills.
 Flexible waterproofing to all flat roof slabs, parapets etc.
 Flexible waterproofing under floor finish of any room containing sanitary fixtures, as well as to the floor and walls of any shower.

Drainage and plumbing notes
 All soil- and waste pipes to be accessible along their entire length.
 IE's to all bends and junctions of waste- and soil pipes, CE's every 25m max.
 65mm reset traps to all waste fittings.

Thermal insulation notes
 All hot water pipes to be lagged to comply with SANS 10252.1
 Geysers to be insulated: insulation R-value 2.0

Environmental sustainability and energy usage
 All work to comply with SANS 10400-X and SANS 10400-XA
 Fenestration: SANS 613
 Solar Geysers: SANS 1307
 Floors: SANS 10400-1
 Walls: SANS 10400-K
 Roofs: SANS 10400-L
 Glazing: SANS 10400-N
 Lighting and ventilation: SANS 10400-O
 Space heating: SANS 10400-V

| REVISIONS | | |
|-----------|------------|----------------------|
| R | DATE | DESCRIPTION |
| A | 2020-06-29 | DETAILS FOR APPROVAL |
| | | |
| | | |

BESTDECK
 SIMPLY THE BEST

PROJECT TITLE
**HOUSE MIDLANDS
 COMPOSITE DECKING
 DETAILS**

| LAYOUT OF DECKS | | |
|------------------------|----------|---------------|
| DRAWN BY: | | J.K. JORDAAN |
| APPROVED BY: | | Mr. S. Martin |
| DATE DRAWN: 2020-06-29 | | |
| SIZE | SCALE | PROJECT No. |
| A3 | 1:100 | 07/20 |
| DRAWING No. | REVISION | |
| 001 | A | |



DECKING PROFILE TO BE USED:
 GOLD RANGE: CHARCOAL COLOUR