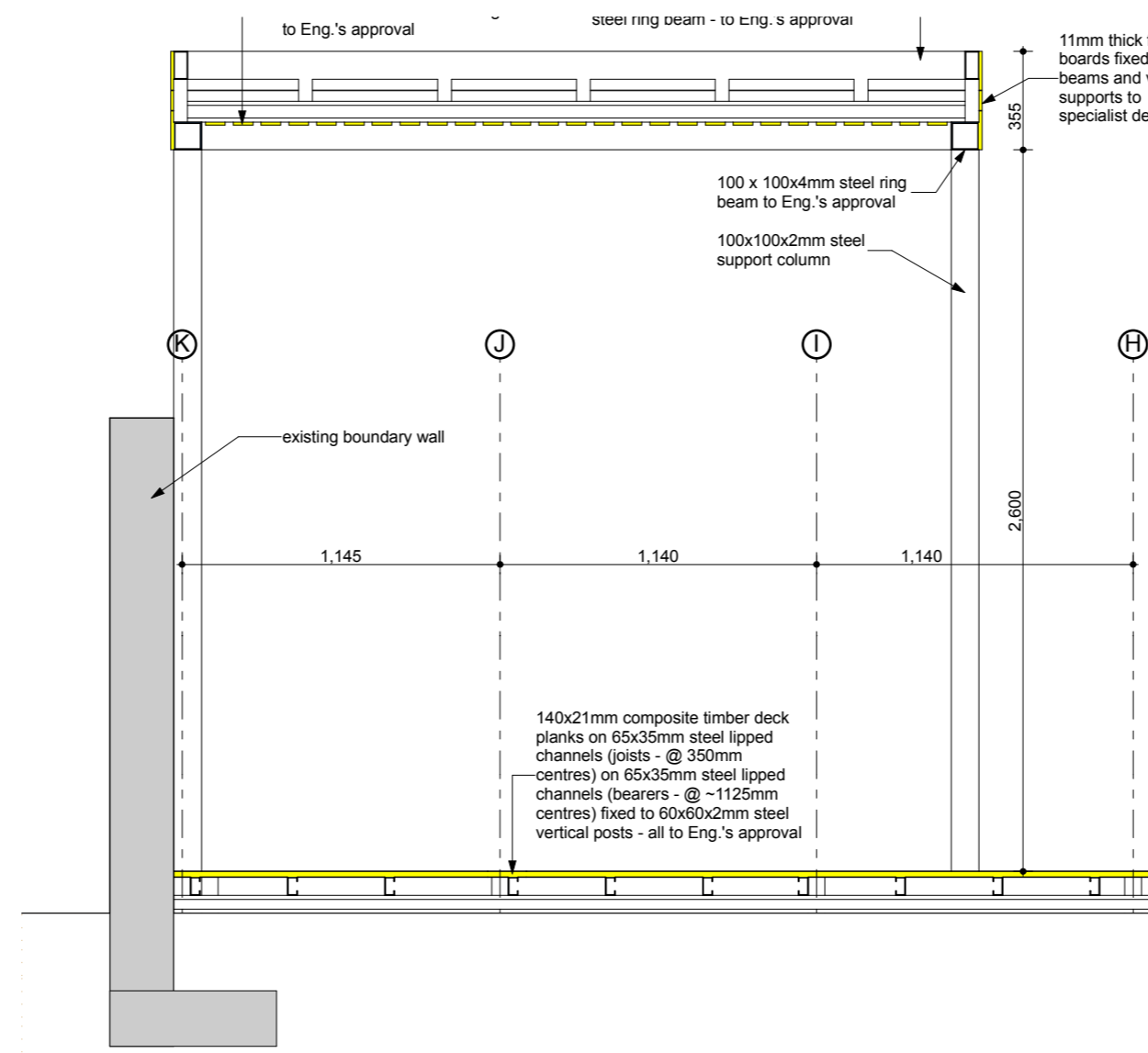
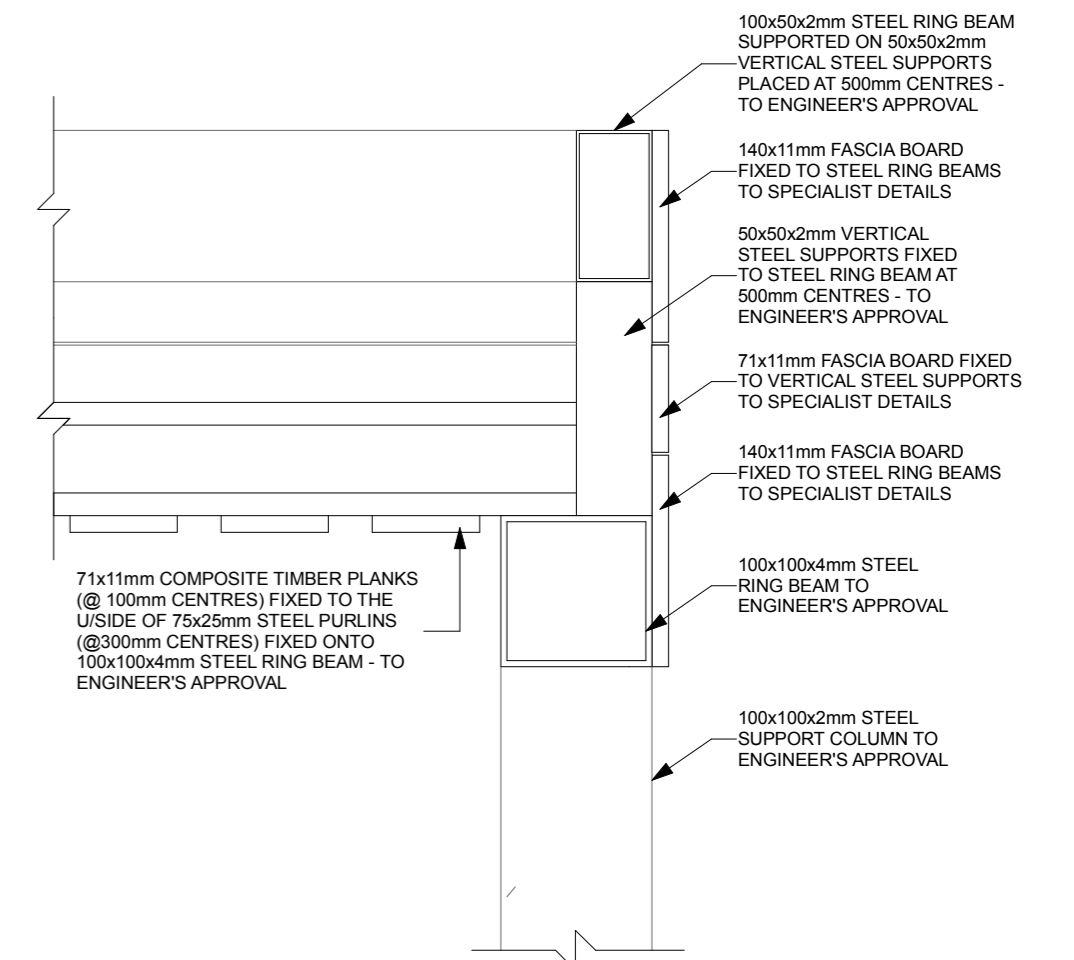


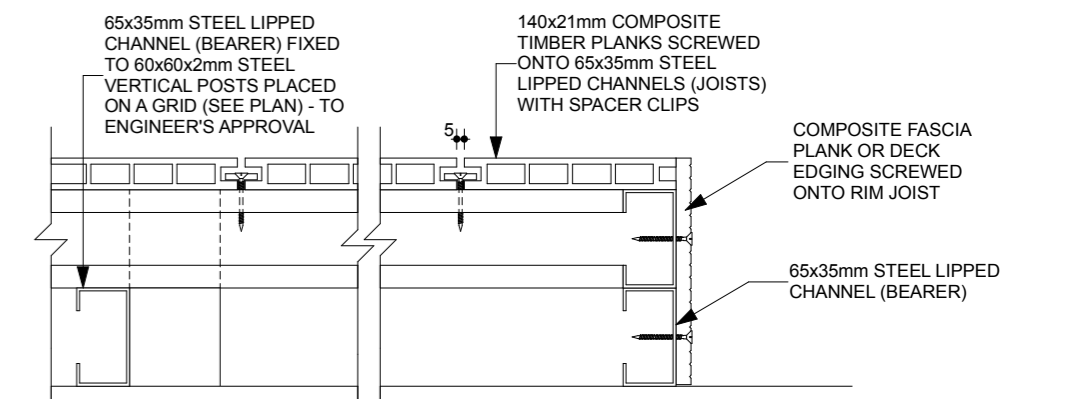
SECTION A - A
SCALE 1:25



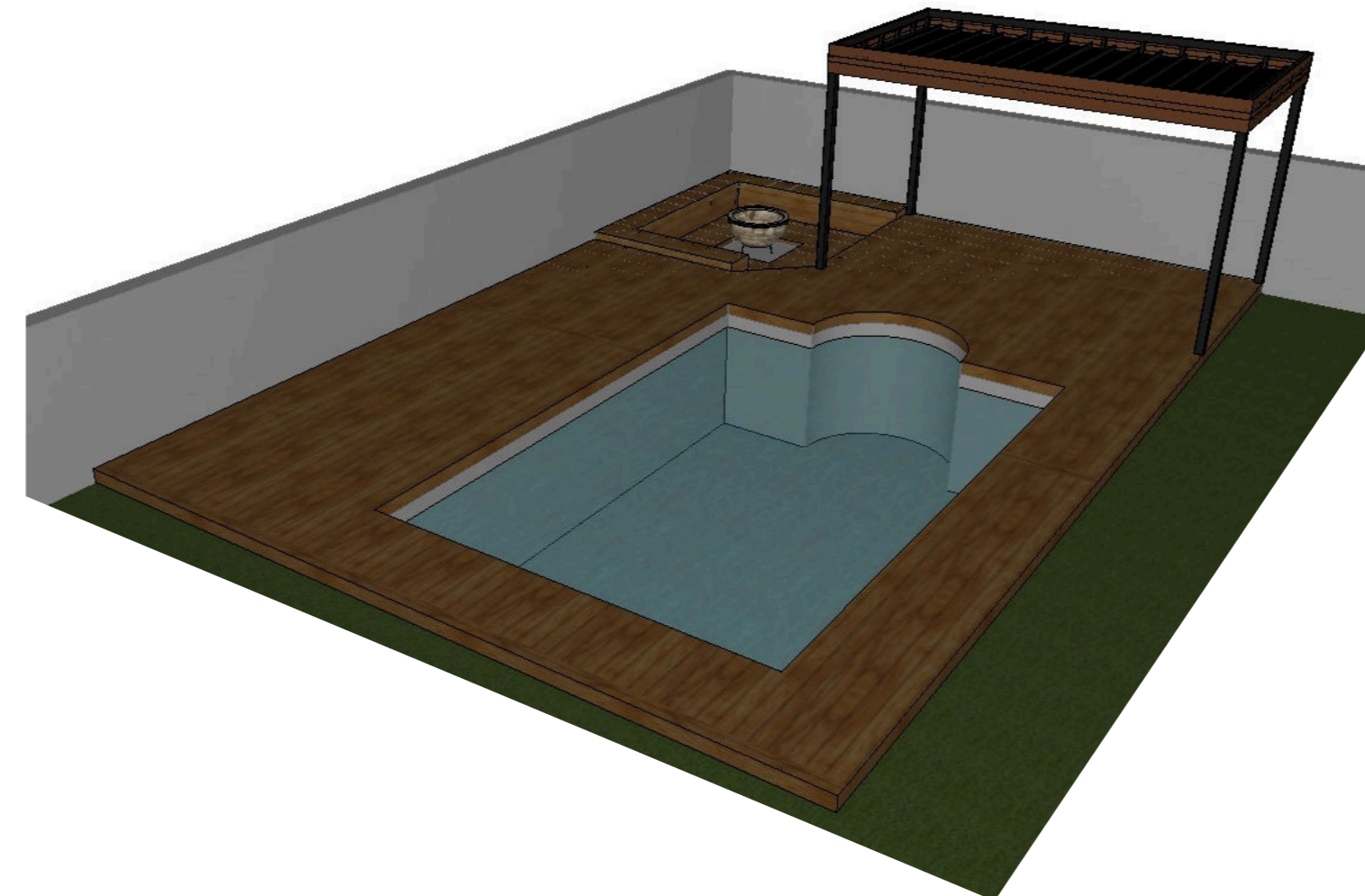
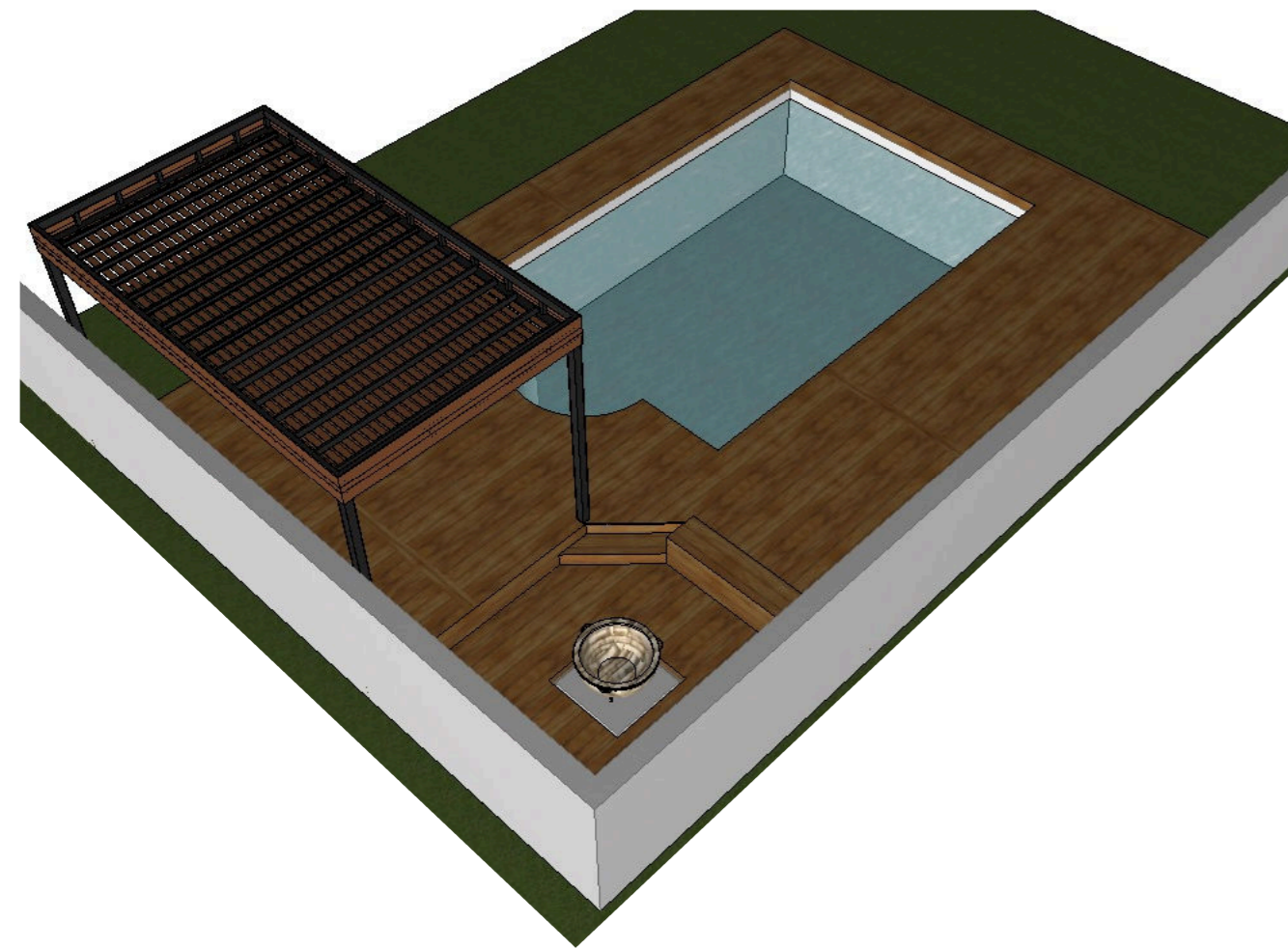
SECTION B - B
SCALE 1:25



TYPICAL PERGOLA DETAIL
SCALE 1:5



TYPICAL TIMBER DECK DETAIL
SCALE 1:5



3D AXONOMETRIC VIEWS



PROJECT NAME:	TIMBER DECKING & PERGOLA DETAILS FOR EXISTING RESIDENCE		A2
ERF No. & TOWNSHIP:		DRAWING TITLE:	SECTIONS, DETAILS & 3D VIEWS
STREET ADDRESS:		DRAWING NUMBER:	SM004-SK-02-A