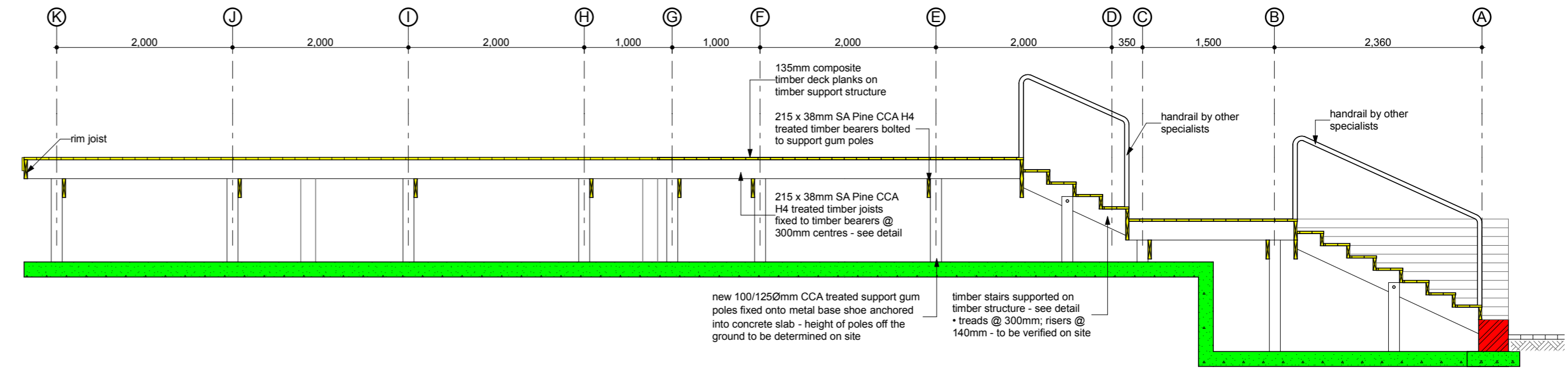
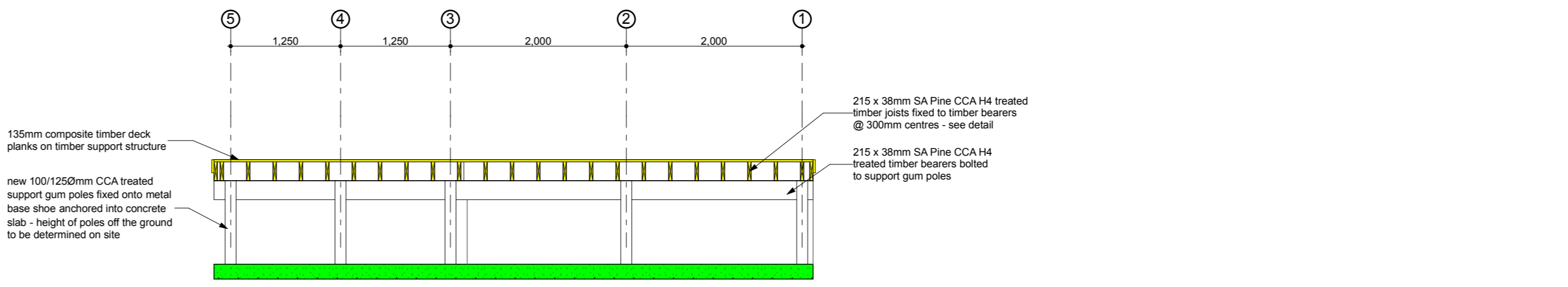


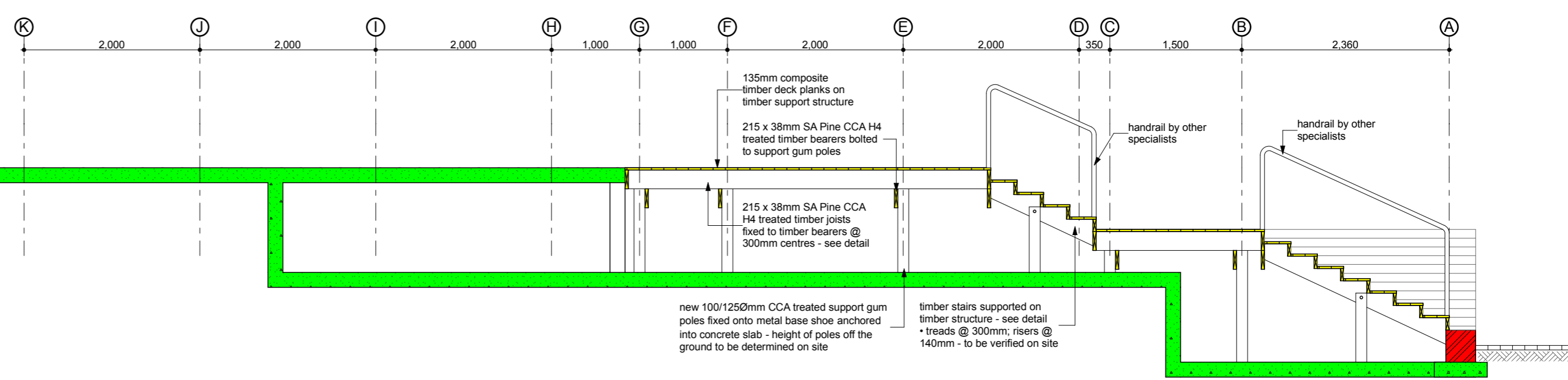
TIMBER DECK LAYOUT PLAN
SCALE 1:50



SECTION A - A
SCALE 1:50



SECTION B - B
SCALE 1:50



SECTION C - C
SCALE 1:50

STRUCTURE KEY	
█	NEW BRICK WORK
█	NEW CONCRETE WORK
█	NEW TIMBER WORK
█	NEW STEEL WORK

PROJECT NAME:	NEW TIMBER DECKING FOR UMLANGA ARCHES LEVEL 3		A2	PM	
ERF No. & TOWNSHIP:					
STREET ADDRESS:		DRAWING TITLE:	PLAN & SECTIONS	DRAWING NUMBER:	SM001-SK-01-D