



STEYN CITY
PARKLAND RESIDENCE

STEYN CITY : CITY CENTER 1
STEYN CITY PROPERTIES
ERF 105, RIVERGLEN 4
JOHANNESBURG

ARCHITECT'S SIGNATURE _____
OWNER'S SIGNATURE _____
ENGINEER'S SIGNATURE _____

General notes:
The design on this drawing is copyright and remains the property of the architect.
All work to conform to SANS 10400 National Building regulations (2011) and to local authority requirements.
All relevant levels, dimensions and details to be checked on site before commencing any work. Report any discrepancies to the architect immediately. Do not scale.

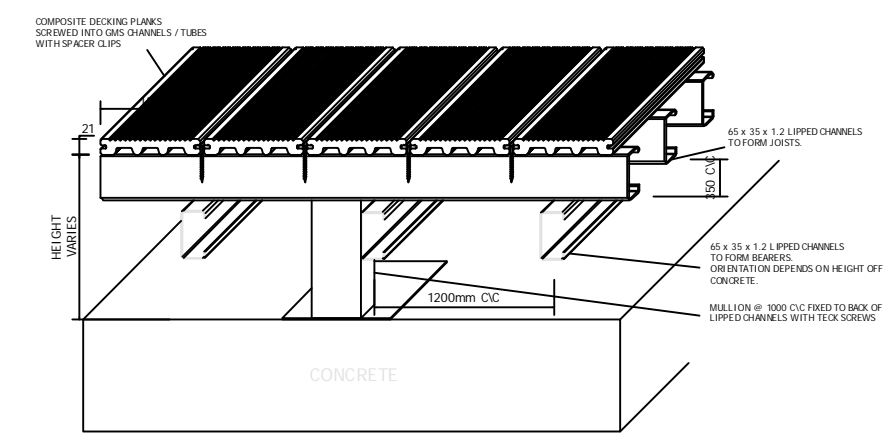
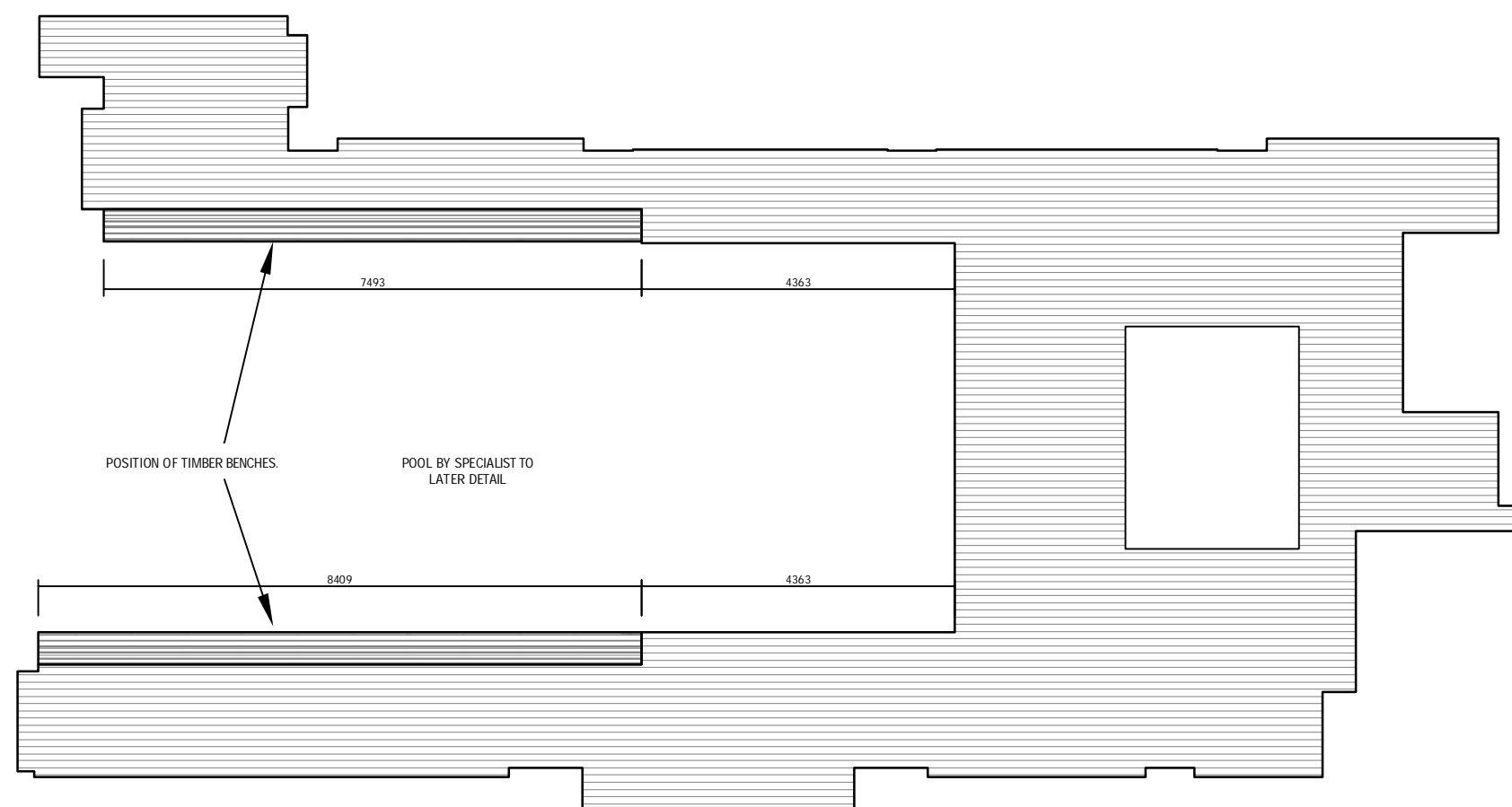
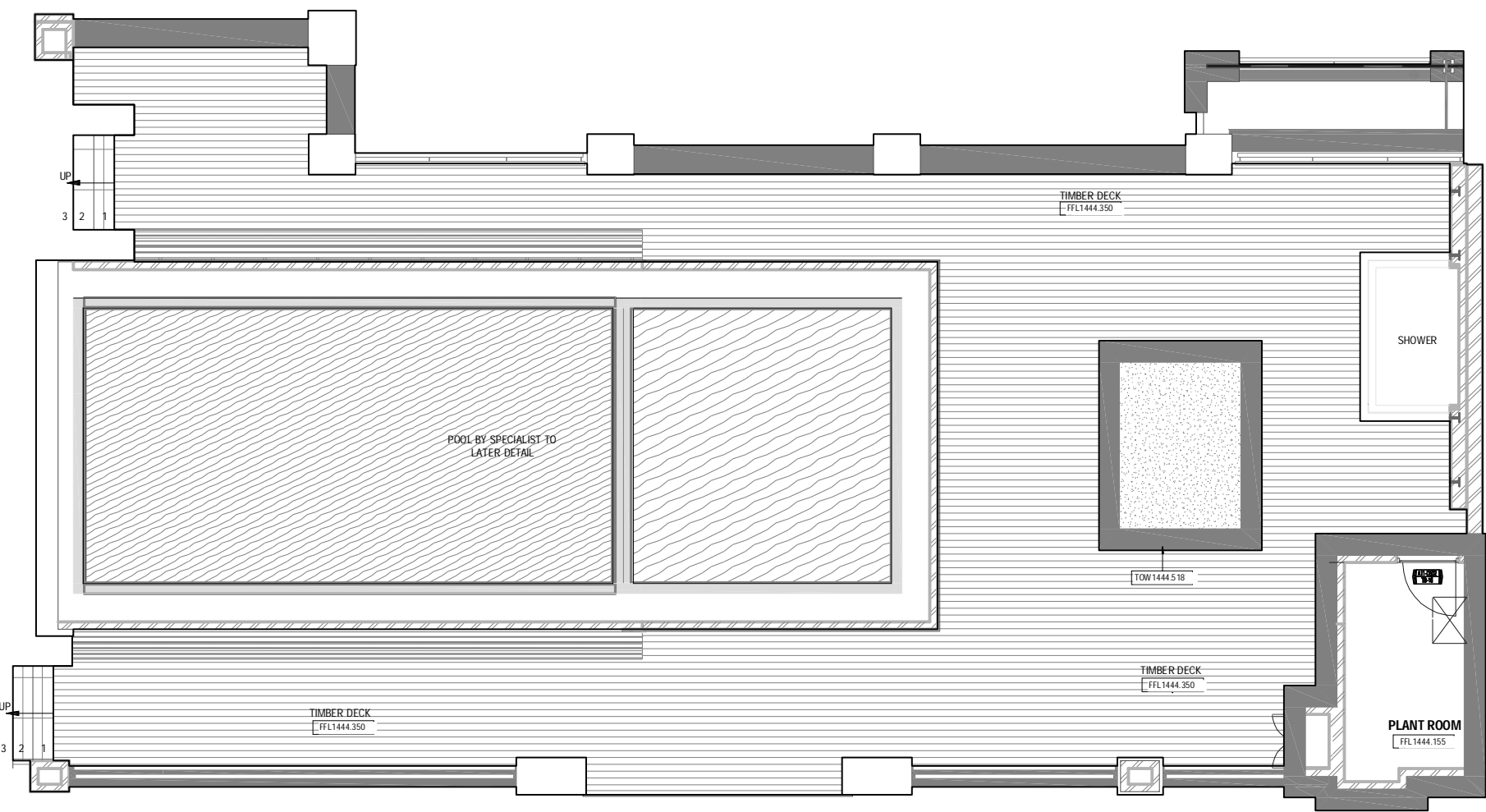
Structural notes:
All structural work to structural engineer's detail and specification.
Soil below foundations and backfill below concrete surface beds to be well compacted.

Waterproofing notes:
USB green waterproofing membrane to all concrete surface beds.
DPC to base of all external walls and to windowills.
Flexible waterproofing to all flat roof slabs, parapets etc.
Flexible waterproofing under floor finish of any room containing sanitary fixtures, as well as to the floor and walls of any shower.

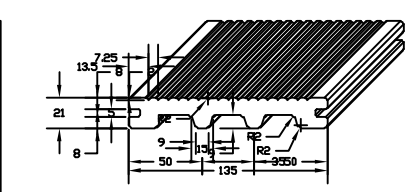
Drainage and plumbing notes:
All soil- and waste pipes to be accessible along their entire length.
It's to all bends and junctions of waste- and soil pipes, CE's every 2m max.
65mm reset traps to all waste fittings.

Thermal insulation notes:
All hot water pipes to be lagged to comply with SANS 10252.1
Geysers to be insulated: insulation R-value 2.0

Environmental sustainability and energy usage
All work to comply with SANS 10400-X and SANS 10400-XA
Penetration: SANS 813
Solar Geysers: SANS 1307
Floors: SANS 10400-J
Walls: SANS 10400-K
Roofs: SANS 10400-L
Glazing: SANS 10400-N
Lighting and ventilation: SANS 10400-O
Space heating: SANS 10400-V

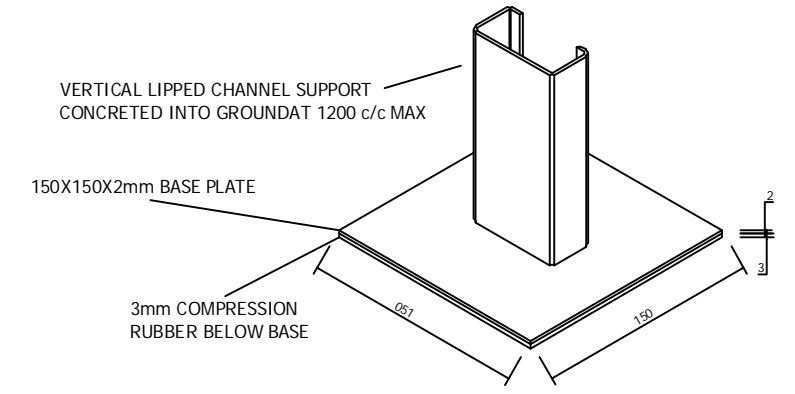


TYPICAL DECKING DETAILS

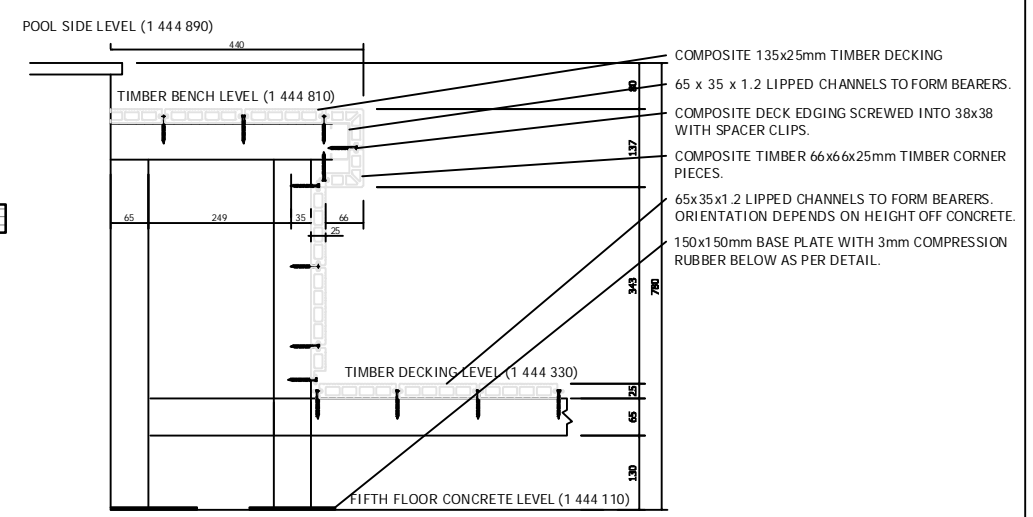


GENERAL NOTES:
ALL WELDING IS TO NEAT, CLEANED AND COLD GALVANIZED TO PREVENT RUSTING.
GALVANISED SUB-CONTRACTORS TO BE CHECKED FOR QUALITY BY ARCHITECT PRIOR TO COMMENCEMENT.
ALL FIXING SCREWS TO STAINLESS STEEL WITH BLACK ELECTRO-PLATING.

DECKING PLANK



TYPICAL BEARER MULLION DETAIL



TYPICAL SEATING SECTION

REVISIONS		
R	DATE	DESCRIPTION
A	2020-02-28	DETAILS FOR APPROVAL



PROJECT TITLE
COMPOSITE DECKING PLAN VIEW

STANDARD DETAILS		
DRAWN BY:	J.K. JORDAAN	
APPROVED BY:	Mr. S. Martin	
DATE DRAWN:	2020-02-28	
SIZE	SCALE	PROJECT No.
A3	AS SHOWN	05/20
DRAWING No.		REVISION
001		A